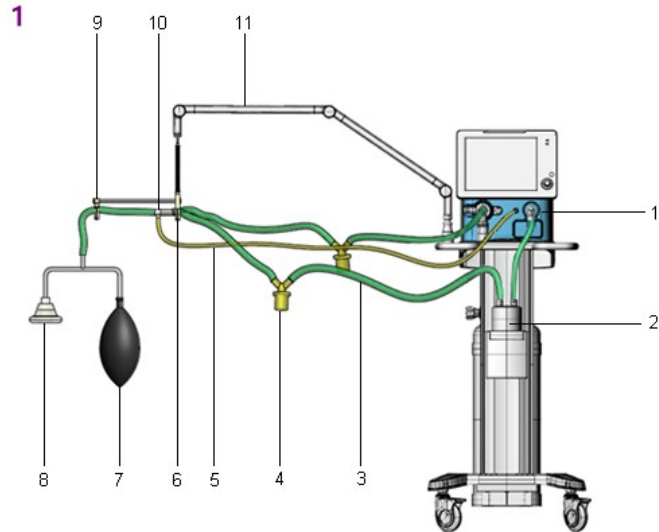
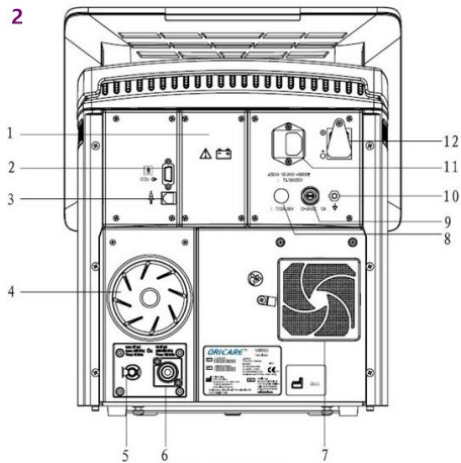


Operation Card

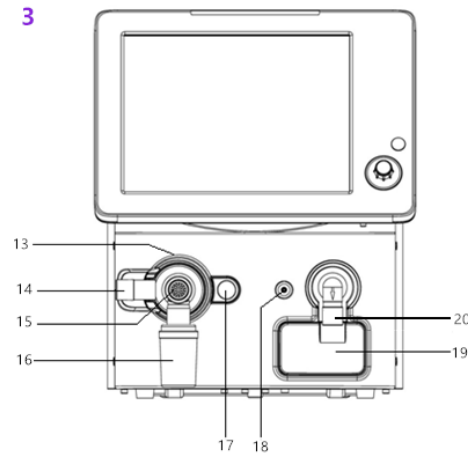


① Ventilator Components

1	Main Control Unit	2	Humidifier	3	Patient Circuit
4	Water Trap	5	Nebulizer Tube	6	Y-piece
7	Test Lung	8	Mask	9	Connector
10	Nebulizer Connector	11	Mechanical Arm	12	-----



② Rear Panel ③ Front Panel



1	Battery Cover	2	CO ₂ Module Connector	3	Nurse Call Connector
4	Air Inlet	5	Low-flow Oxygen Inlet	6	Hyperbaric Oxygen Inlet
7	Cooling Fan	8	DC Power Fuse	9	DC Power Input Port
10	Equipotential Terminal	11	Power Supply Socket	12	Power Supply Switch
13	Expiratory module	14	Exhaust port	15	Expiratory port
16	Water trap cup	17	Expiratory module latch	18	Nebulizer output port
19	Oxygen sensor cover	20	Inspiratory port	21	-----



User maintenance

To prevent system damage

- Never use organic, halogenated or petroleum-based solvents, anesthetic, glass cleaning agents, acetone or other irritant agents.
- Never use abrasive agents (i.e. steel wool or silver polish) to clean components.
- Keep all liquids away from electronic components.
- Prevent liquid from entering the equipment.
- All cleaning solutions used must have a pH between 7.0 and 10.5

① Pre-use Test Procedure:

1. After power on and technical test, the machine will enter the pre-use test following display of the power-on page. Items included: Gas supply test, Leak test, Flow sensor test, Pressure sensor test and Safety valve test in the power-on self-test.
2. There is also a “Pre-Use Test” key on Standby screen. There are more test items in the “Pre-Use Test” page.

② Periodic Maintenance Schedule:

The schedule is designed based on the typical condition, that is to say, the least maintenance times of 2000h operating per year. In case the actual operating time is longer than 2000h per year, the maintenance times should be more.

Minimum maintenance interval	Task
Daily	Drain water in gas supply inlet filter, check liquid in expiratory module water trap (collected liquid volume cannot be more than half of the bottle).
Weekly	Calibrate oxygen sensor
1-3 month(s)	Clean air filter Clean cooling fan filter on rear of machine.
Every year	Calibrate flow sensor and pressure sensors; Calibrate inspiratory valve and expiratory valve (if necessary).
Every 6 months	Charge and discharge the batteries once (Charge time: at least 3.5h).
Every year or after a failed calibration	Replace the O ₂ sensor (actual life depends on temperature and O ₂ concentration)
After cleaning and connecting	Check components and replace or repair when necessary.